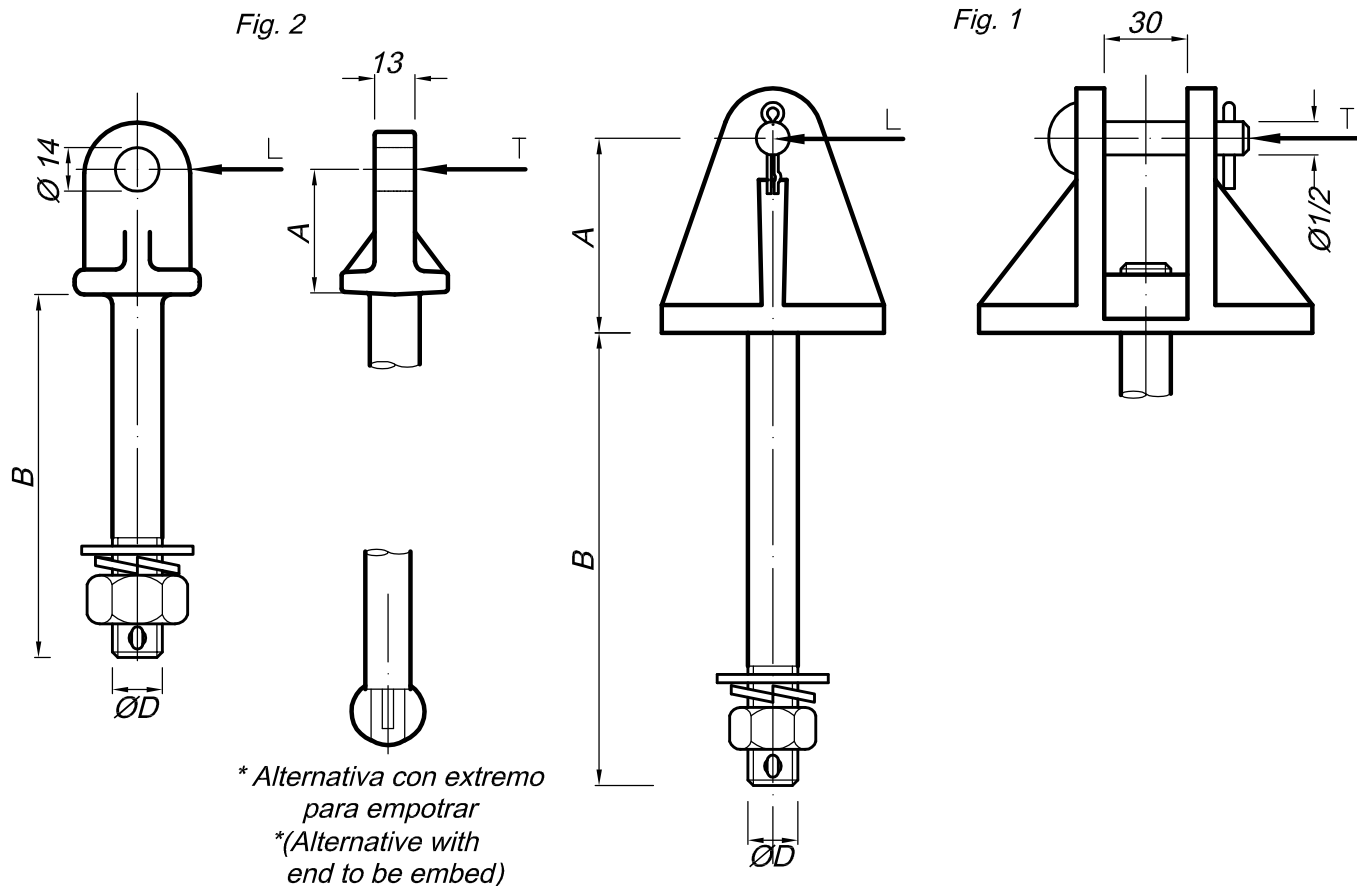


**BASE PARA MORSA DE SUSPENSION
(BASE FOR SUSPENSION CLAMP)**



Material Ac. SAE 1010 y fundicion nodular
(Material steel SAE 1010 and malleable cast iron)

Modelo (Model)	Dimensiones (Dimensions) mm			kN		Fig.
	A	B	ØD	L	T	
BRR-1	68	160	18	20	20	1
BR-3	40	160	16	20	15	2
BE-3	40	160	16	20	15	2*
BTM-1	65	-	-	20	15	3