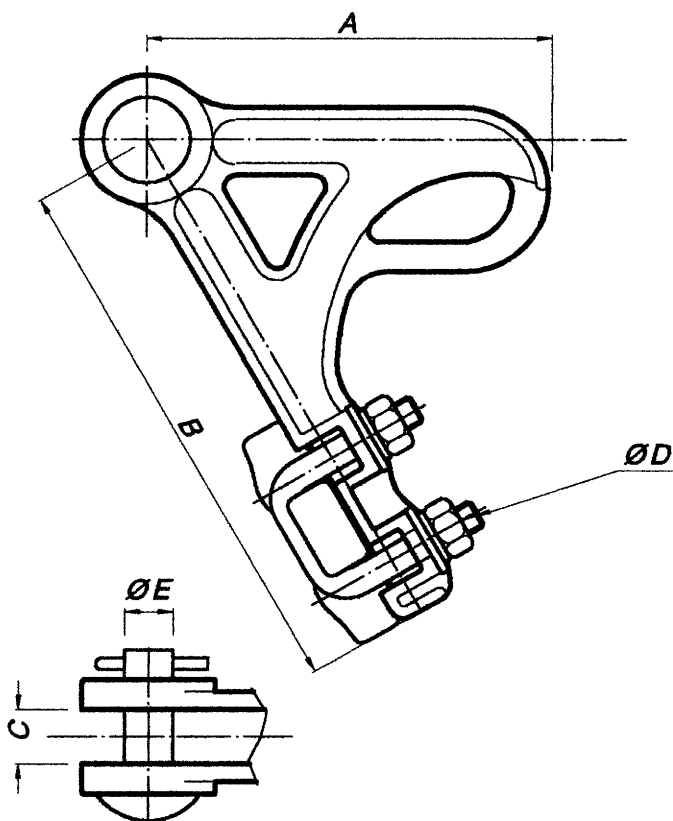


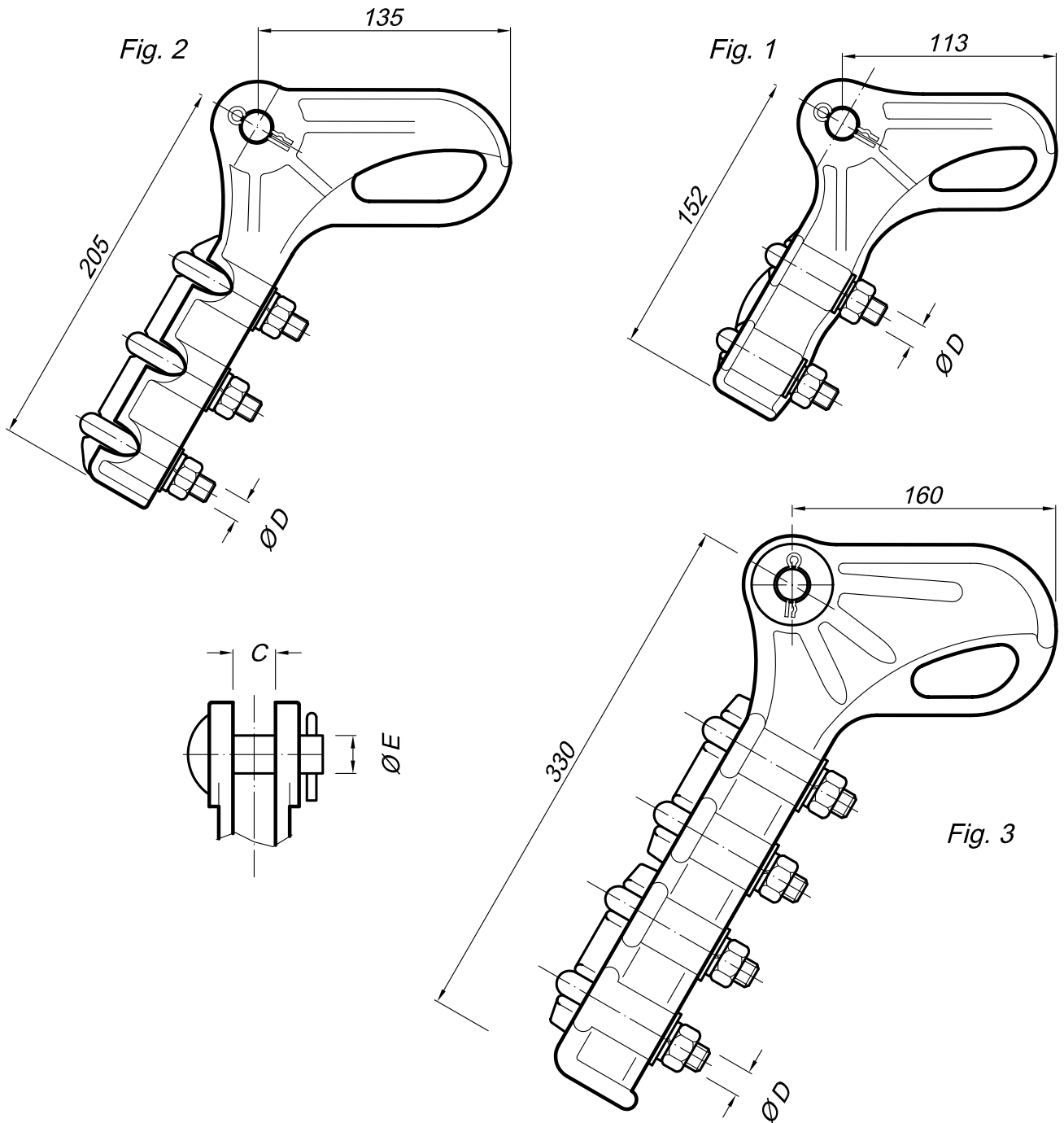
**MORSA DE RETENCION (TENSION CLAMP)**

Modelo (Model)	Dimensiones (Dimensions) mm						Carga min. de rotura (Min. breaking strength) kN
	Alcance (Rank)	A	B	C	ØD	ØE	
MAR-1	4-11	115	155	16	10	12	20
MAR-2	4-14	135	185	18	10	16	40

**Material Al.Al.UNI 4514r y Ac. SAE 1010**  
**(Material Al.Al.UNI 4514r and Steel SAE 1010)**

**Carga de deslizamiento 80% de la rotura nominal del conductor**  
**(Slip tension 80% of the conductor nominal breaking strength)**

**MORSA DE RETENCION (TENSION CLAMP)**



Modelo (Model)	Dimensiones (Dimensions) mm					Carga min. de rotura (Min. breaking strength) kN
	Alcance (Rank)	C	ØD	ØE	Fig.	
MAR-3	9-16	18	12	16	1	42
MAR-4	13-19	20	12	16	2	65
MAR-5	21-25	25	16	19	3	110
MAR-6	19-21	25	16	19	3	110

Material Al.Al. y Ac. SAE 1010

(Material Al.Al. and Steel SAE 1010)

Carga de deslizamiento 85% de la rotura nominal del conductor

(Slip tension 85% of the conductor nominal breaking strength)