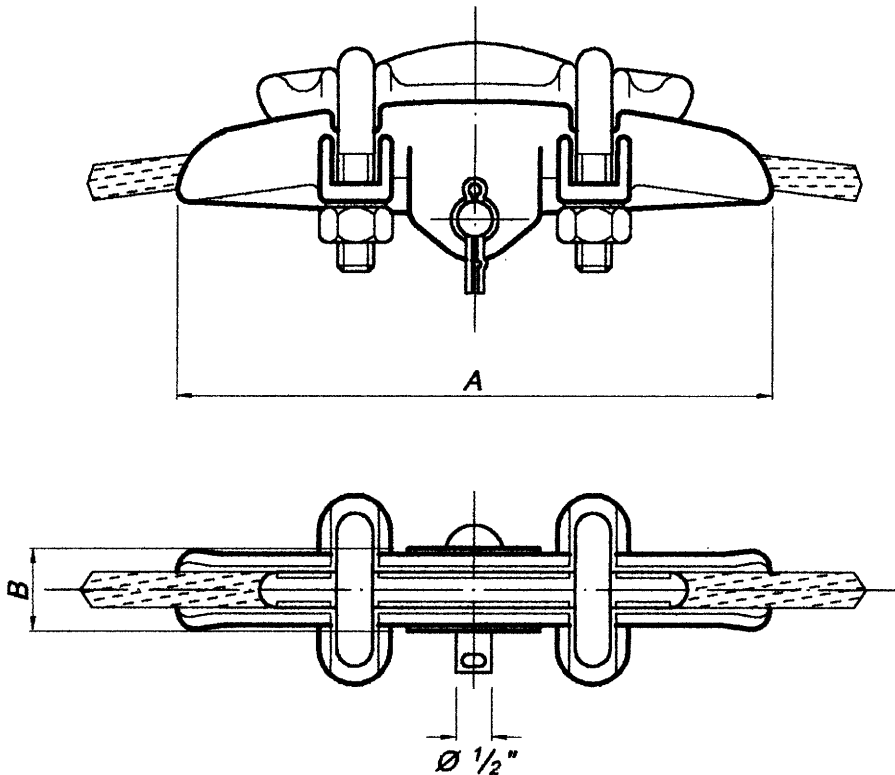


MORSA DE SUSPENSION*Para cables de Guardia***(SUSPENSION CLAMP)***(For ground wire)*

Modelo (Model)	Dimensiones (Dimensions) mm			Carga min. de rotura (Min. breaking strength) kN
	Alcance (Range)	A	B	
MHS-1	5-8	145	25	10
MHS-2	8-11	200	30	20
MHS-3	12-15	250	30	33

Material fundicion nodular y Ac. SAE 1010
(Material nodular casting and Steel SAE 1010)