

MORSETO BIFILAR PARALELO (PARALLEL CONNECTOR)

Fig. 1

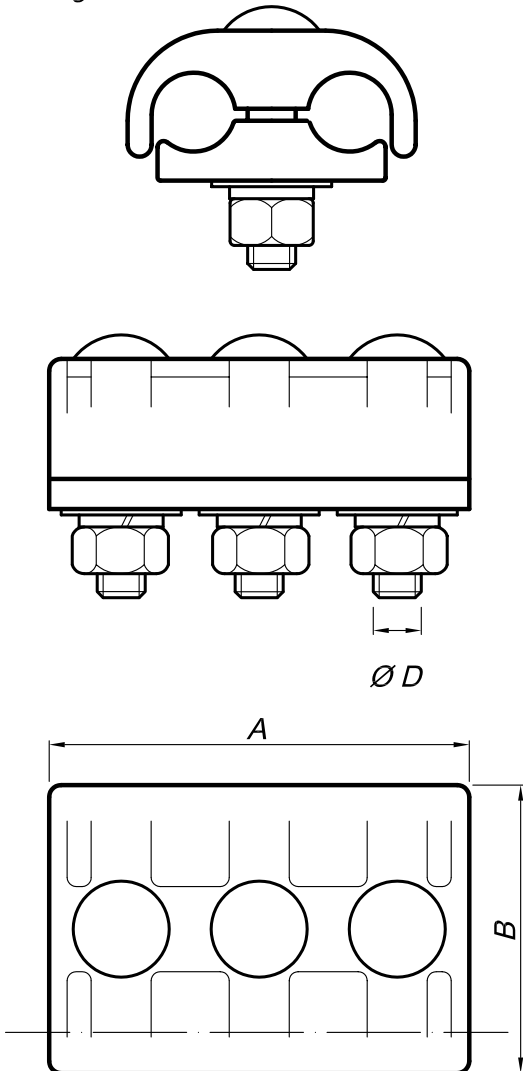


Fig. 2

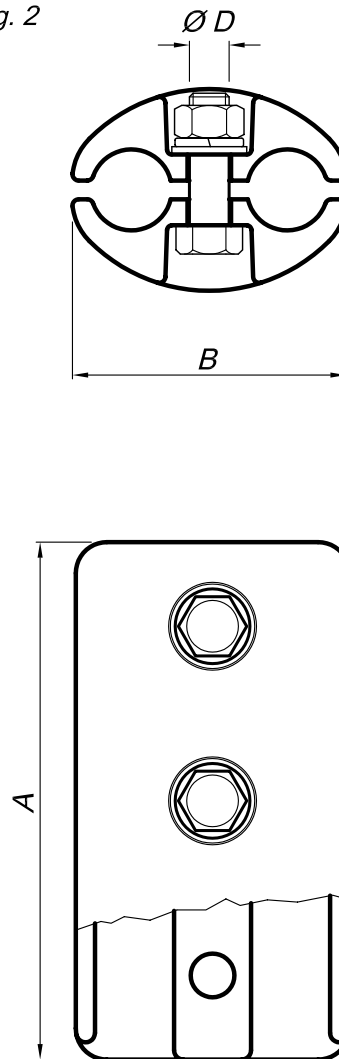
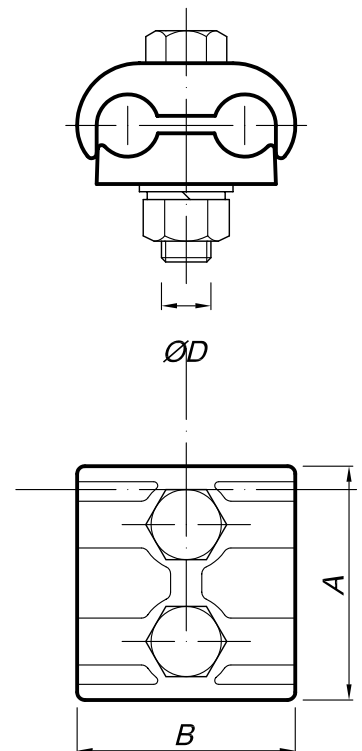


Fig. 3



Modelo (Code)	Dimensiones (Dimensions) mm				Tension (kV)	Fig.
	Alcance (Range)	A	B	ØD		
M9-A	10-13	65	48	3/8"	132	1
M9-B	13-17	90	58	3/8"		
M9-C	17-20	113	70	1/2"		
M9-D	20-23	130	80	5/8"		
M9-E	23-26	165	90	5/8"		
M9-F	26-29	160	90	5/8"		
M10-E	21-26	166	88	1/2"	345	2
M16-B	13-17	60	56	1/2"	132	3

Material Al.Al. y Ac. SAE 1010
(Aluminium Alloy and Steel SAE 1010)