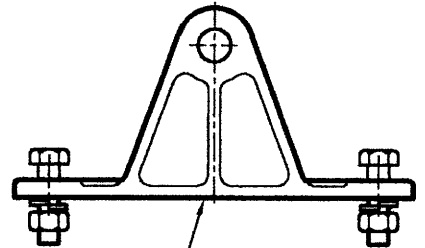
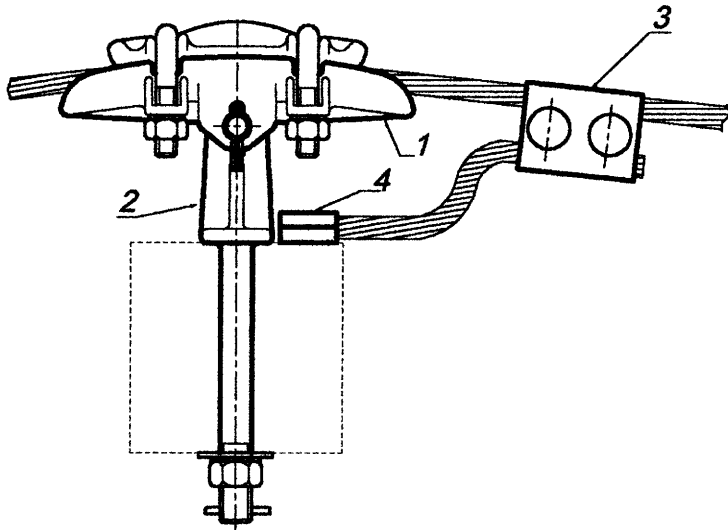
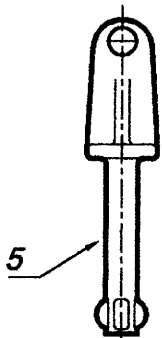


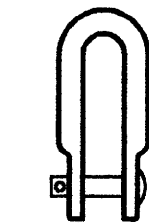
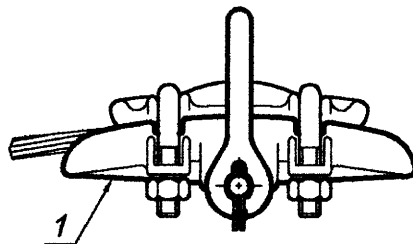
**SUSPENSIÓN DE CABLE DE GUARDIA**  
**SUPPORTED SUSPENSION FOR GROUND WIRE**



6 *Alternativa para  
torre metálica  
(Alternative for  
metallic tower)*



5 *Alternativa para  
empotrar  
(Alternative for  
build in )*



7 *Alternativa susp.  
de colgar  
(Alternative hanger)*

**IDENTIFICACION (IDENTIFICATION)**

Pieza (Piece) Nº	Denominacion (Denomination)	
1	Morsa MHS	Clamp MHS
2	Base roscada BR	Threaded base BR
3	Morseto M6	Grounding clamp M6
4	Morseto M8	Grounding clamp M8
5	Base de empotrar BE	Base for build in BE
6	Base para torre Metálica BTM	Base for metallic tower BTM
7	Grillete G	Shackle G

*Carga minima de rotura: 60 % de la  
carga de rotura nominal del conductor*

*(Min. breaking strength: 60 % of the  
conductor nominal breaking strength)*