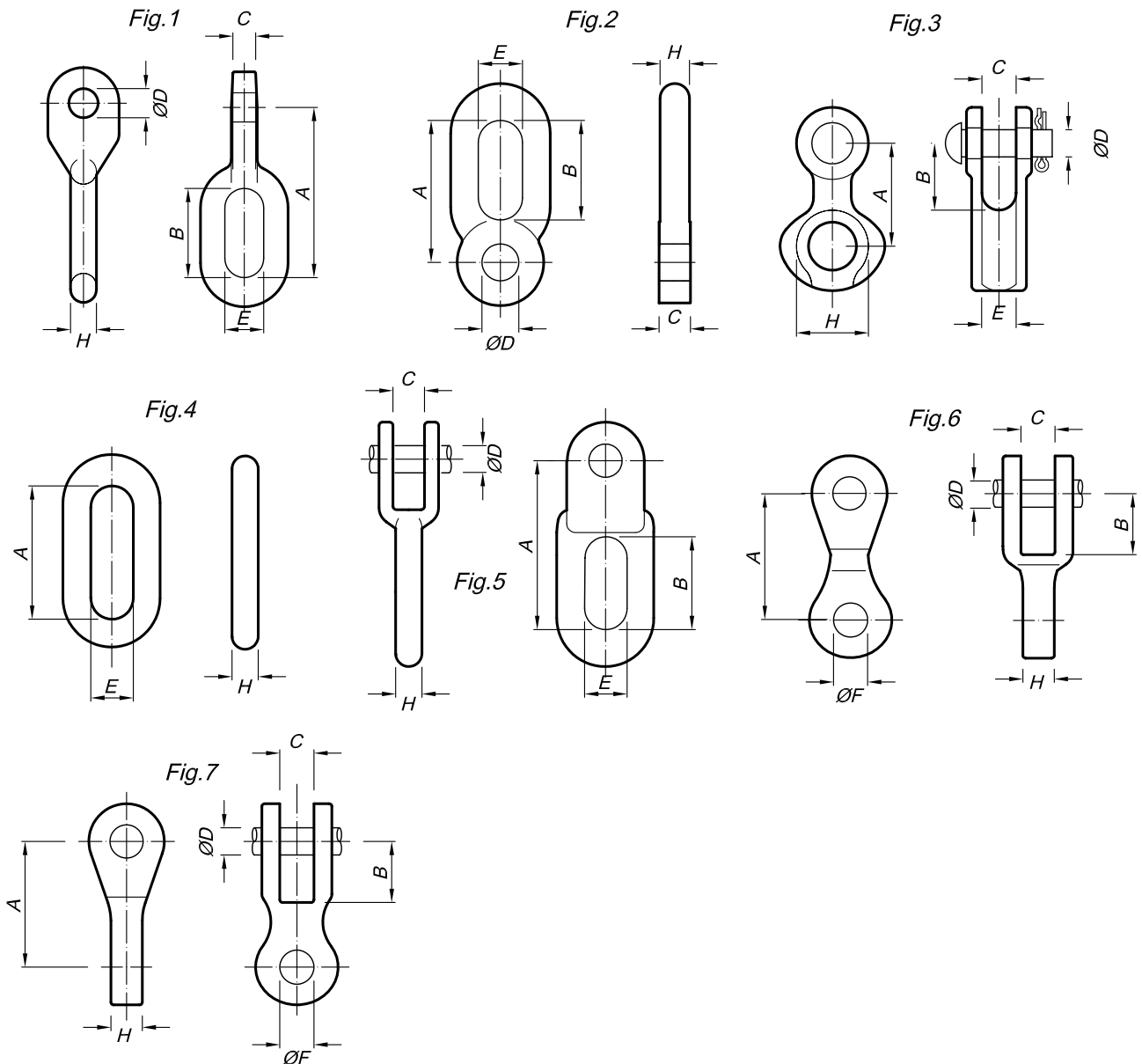
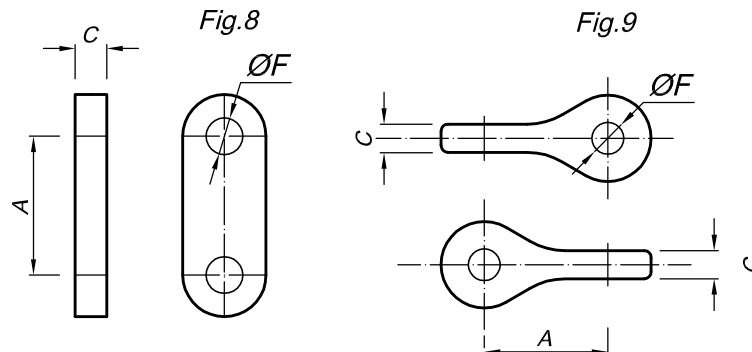


UNIONES (LINKS)



Modelo (Model)	Dimensiones (Dimensions) mm								Carga min. de rotura (Min. breaking strength) kN
	A	B	C	ØD	E	ØF	H	Fig.	
AP-1	105	55	16	18	25	-	16	1	80
AP-2	101	55	17	18	28	-	17	1	80
AO-1	77	55	17	20	25	-	16	2	90
AO-3	87	60	19	20	28	-	19	2	120
AO-4	102	55	16	20	28	-	16	2	80
AO-7	99	55	19	21	25	-	19	2	200
AO-9	99	55	19	21	25	-	19	2	240
AO-10	99	55	19	21	25	-	19	2	160
HG-1	60	39	20	16	20	-	42	3	80
E-1	80	-	-	-	28	-	17	4	80
HA-1	100	55	18	16	24	-	16	5	80
HO-1	70	30	19	16	-	18	16	6	80
HO-10A	100	53	24	16	-	18	21	6	120
HO-2	70	30	19	16	-	18	16	7	80
HO-11A	100	53	24	16	-	18	21	7	120

UNIONES (LINKS)



Modelo (Model)	Dimensiones (Dimensions) mm								Carga min. de rotura (Min. breaking strength) kN
	A	B	C	ØD	E	ØF	H	Fig.	
POO-1	70	-	16	-	-	18	-	8	60
POO-2	70	-	16	-	-	18	-	9	80